

SUMMER

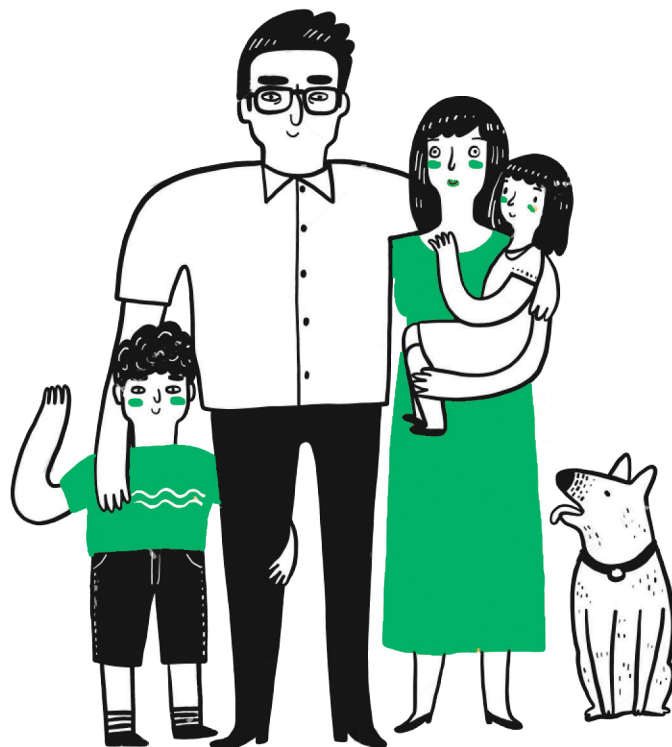
READING

FAMILIES

YPRL.VIC.GOV.AU



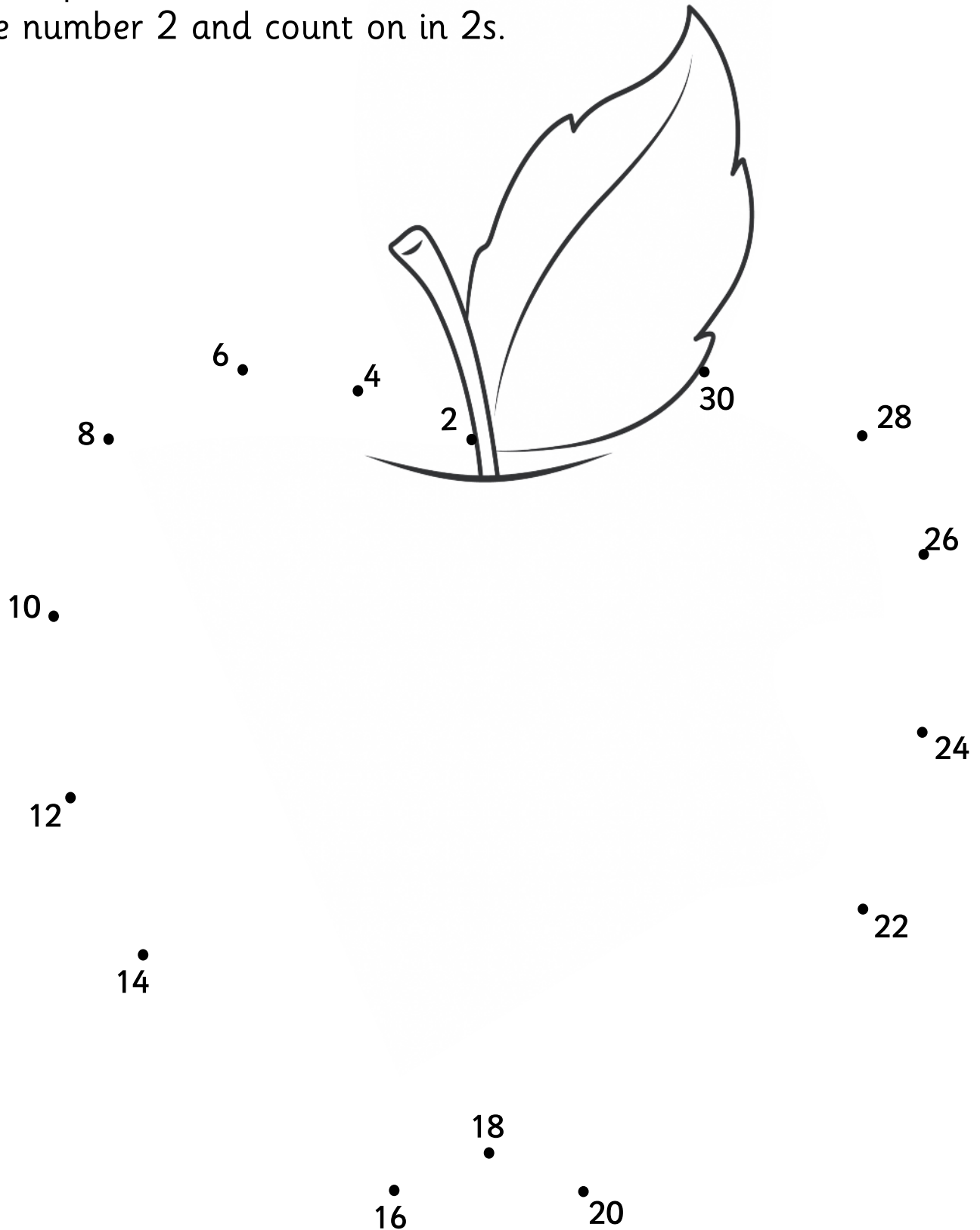
Primary School Week 1 - food Activity Sheets



Dot to Dot

Skip Counting by 2

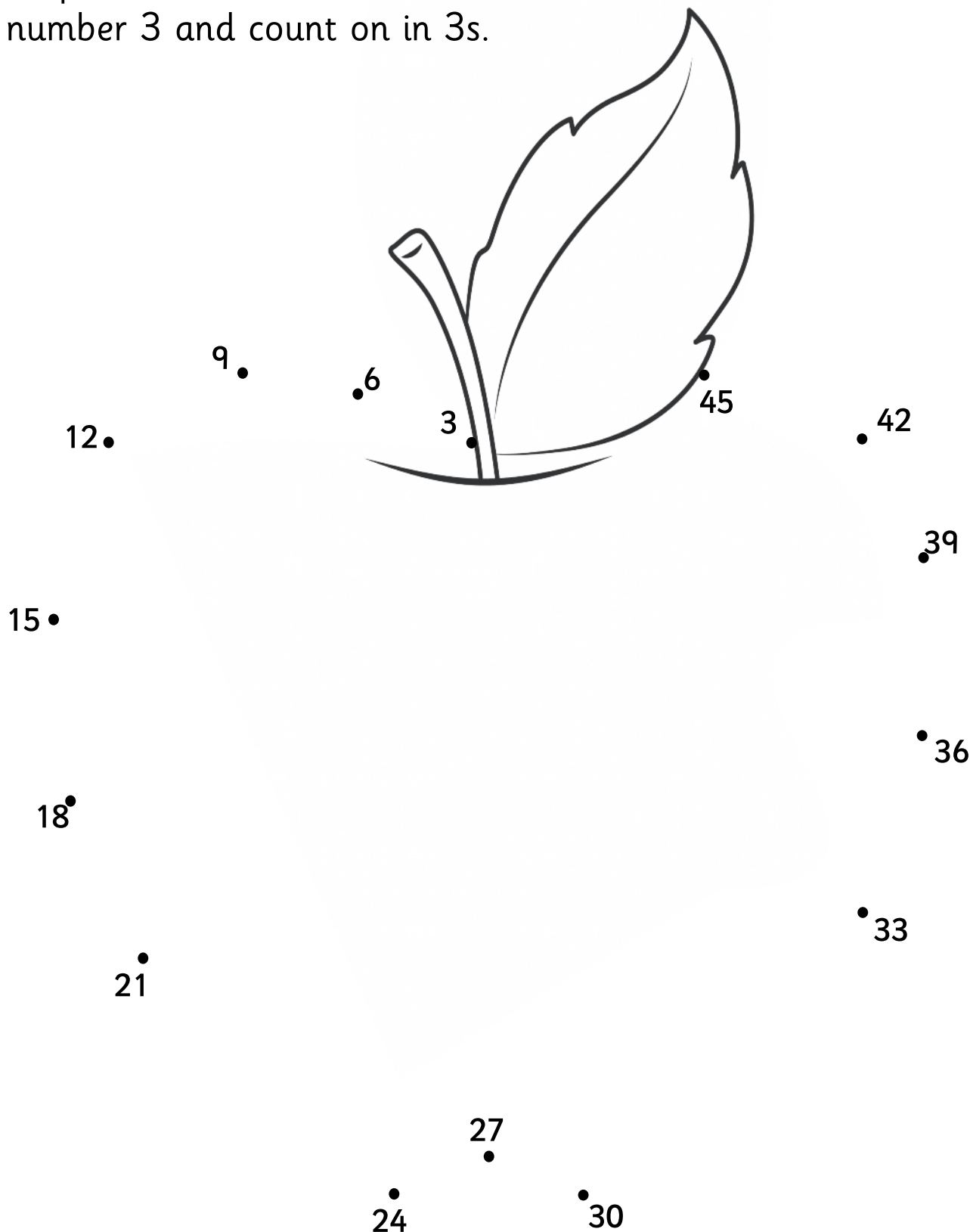
To complete this dot to dot, start at the number 2 and count on in 2s.



Dot to Dot

Skip Counting by 3

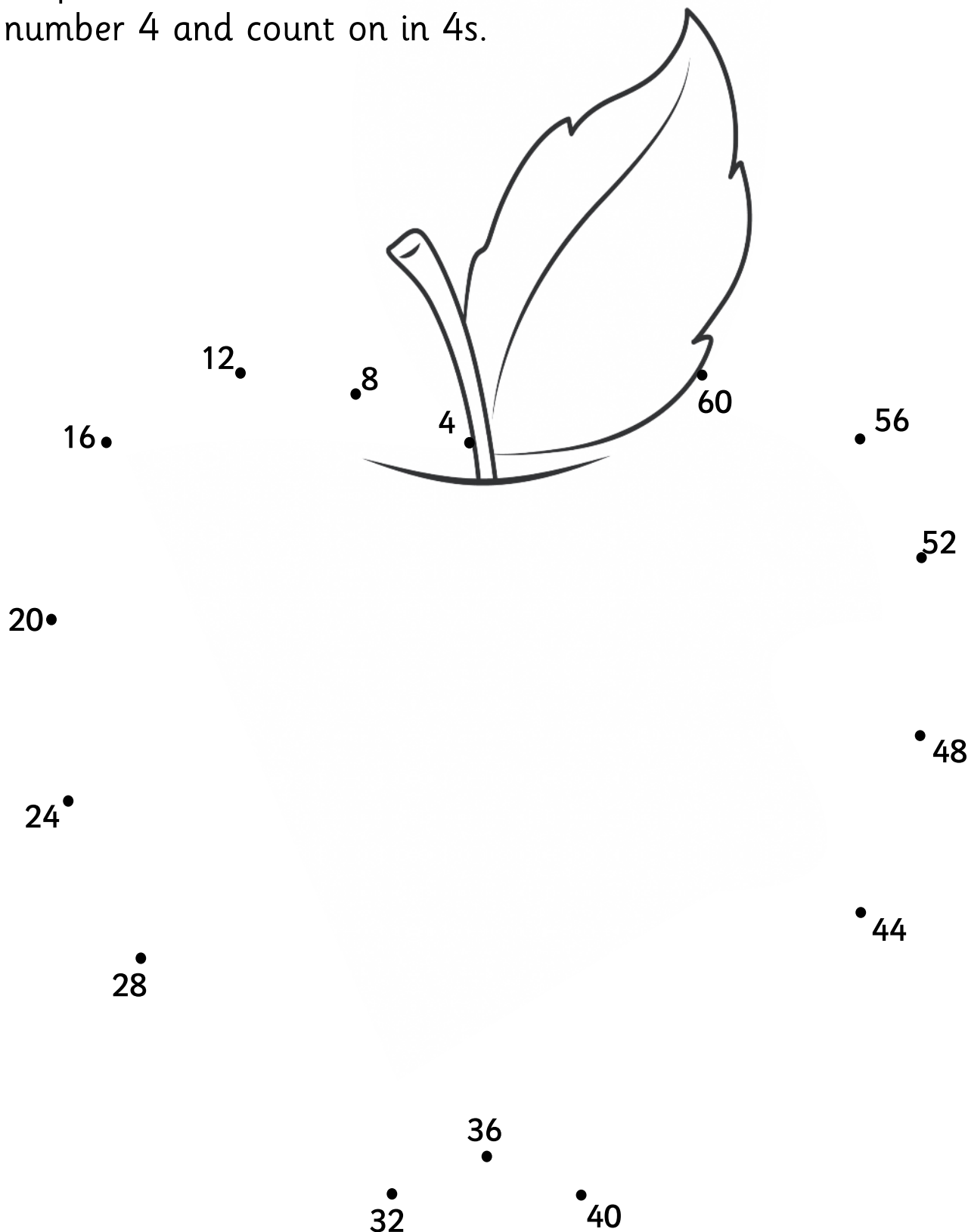
To complete this dot to dot, start at the number 3 and count on in 3s.



Dot to Dot

Skip Counting by 4

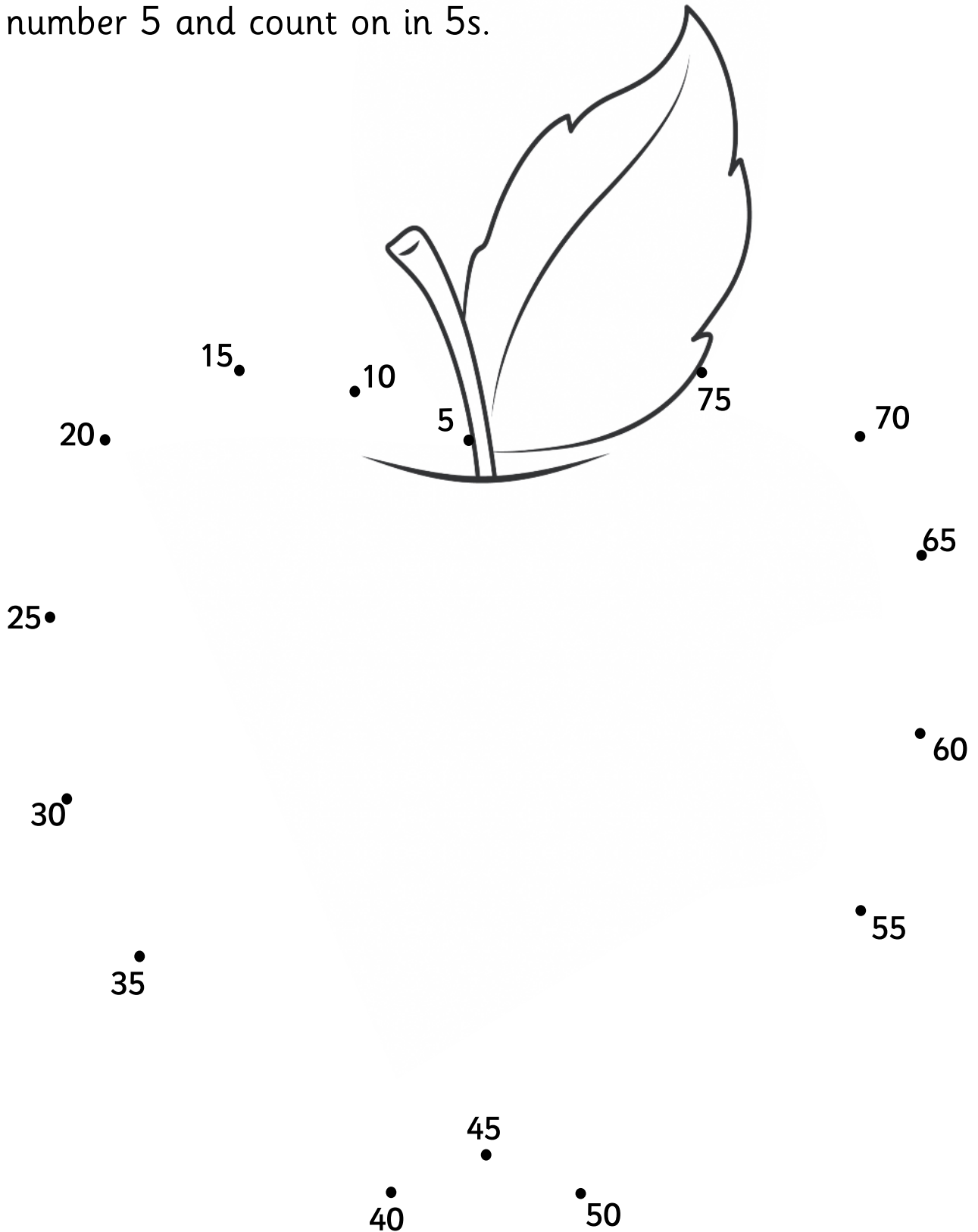
To complete this dot to dot, start at the number 4 and count on in 4s.



Dot to Dot

Skip Counting by 5

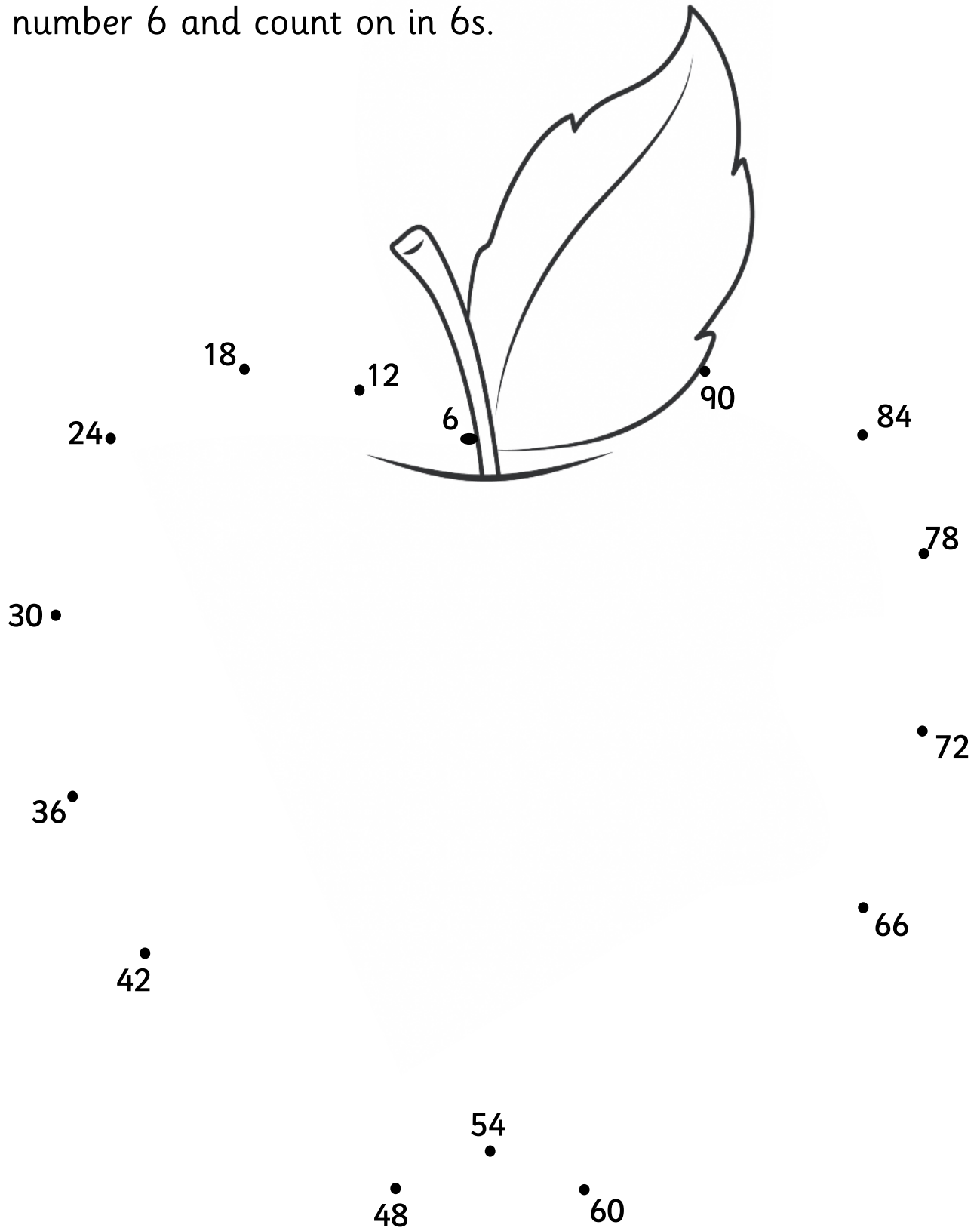
To complete this dot to dot, start at the number 5 and count on in 5s.



Dot to Dot

Skip Counting by 6

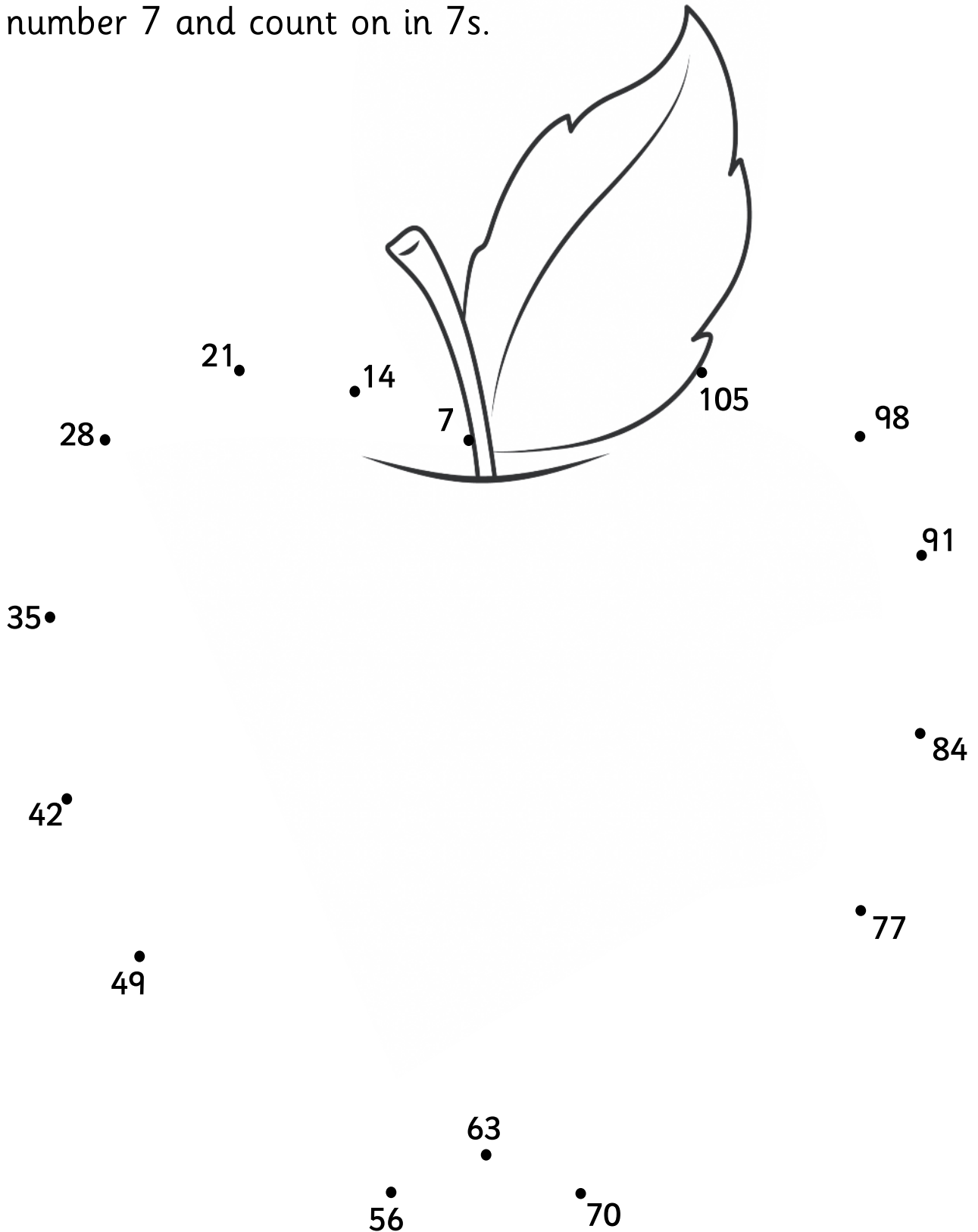
To complete this dot to dot, start at the number 6 and count on in 6s.



Dot to Dot

Skip Counting by 7

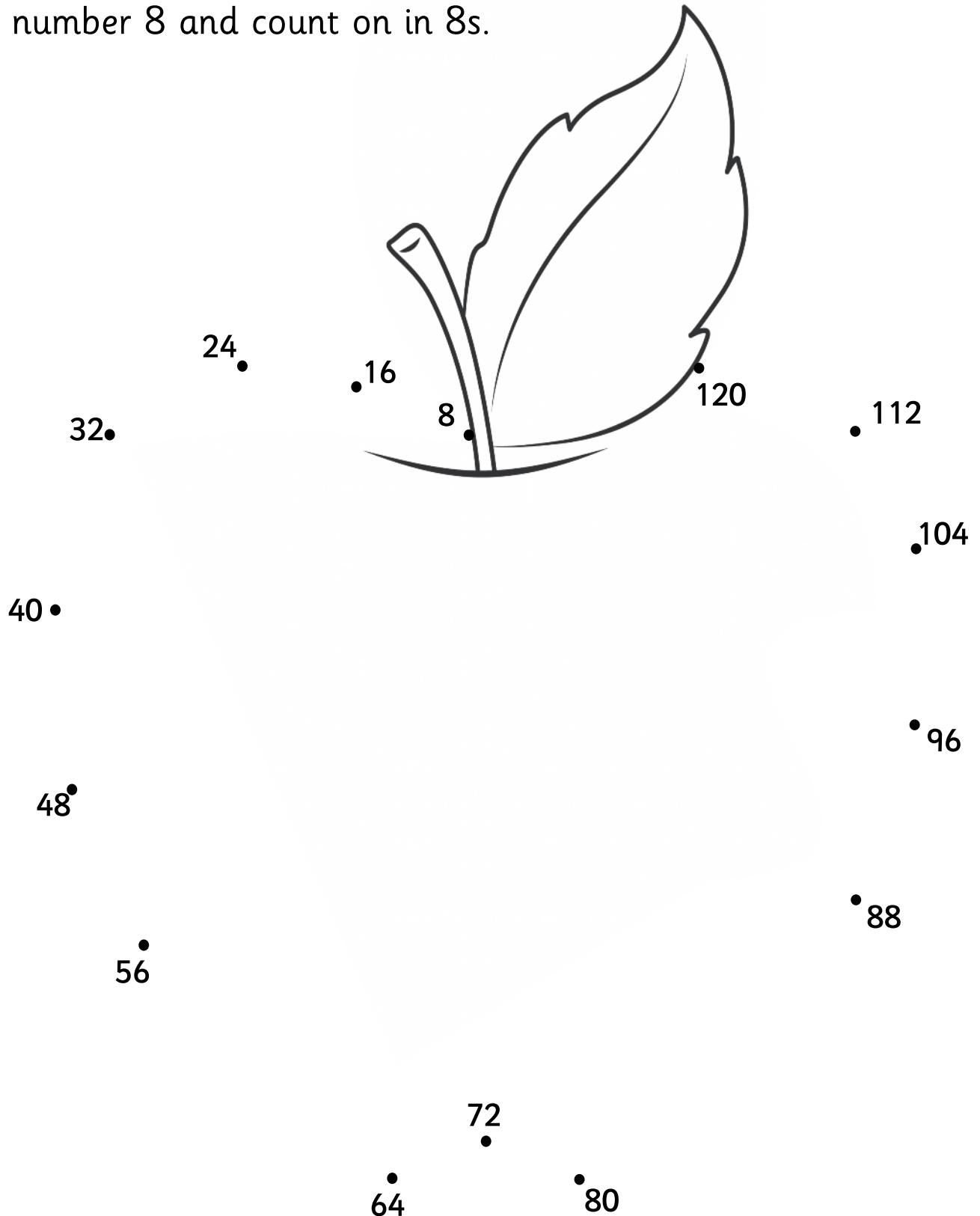
To complete this dot to dot, start at the number 7 and count on in 7s.



Dot to Dot

Skip Counting by 8

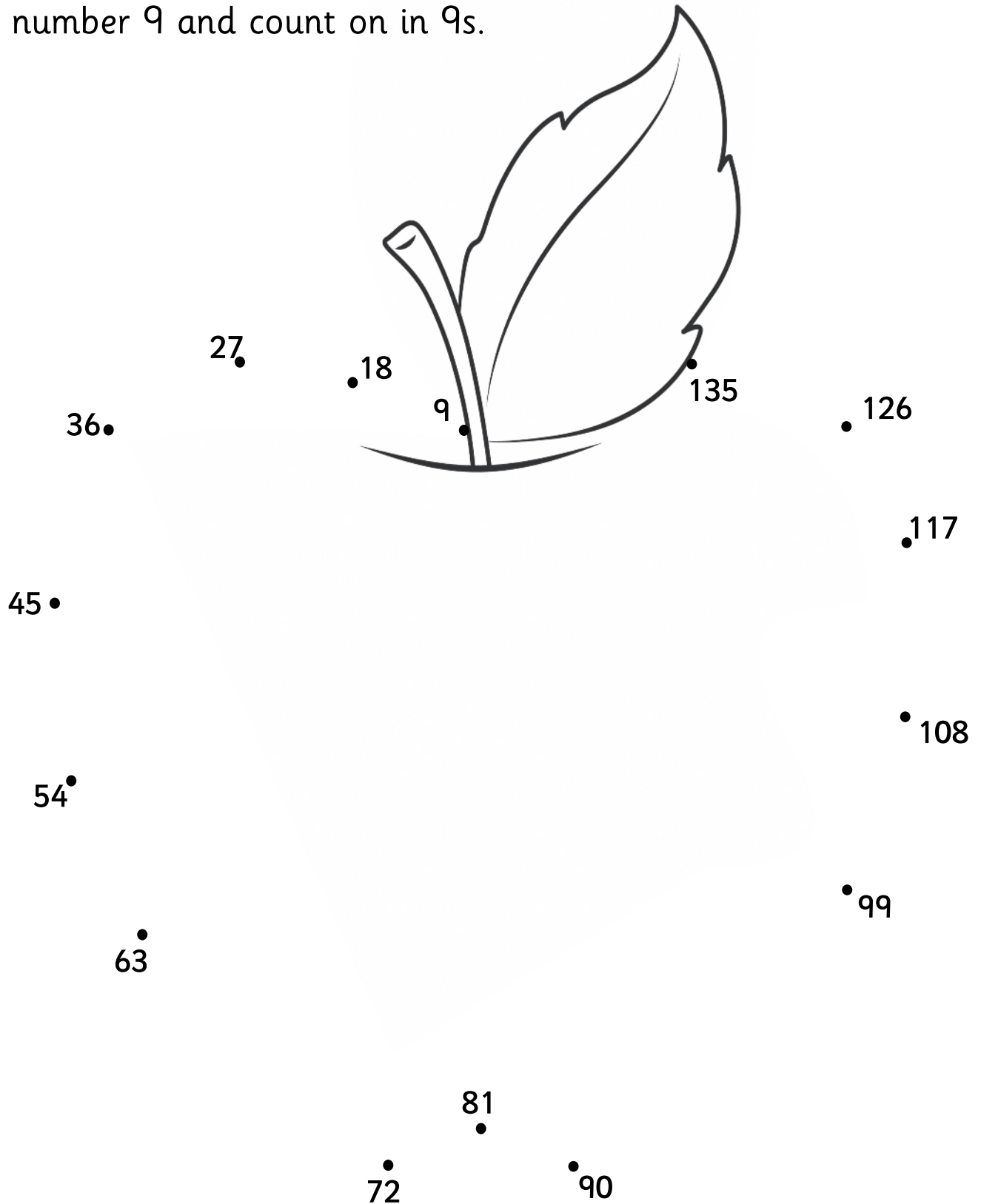
To complete this dot to dot, start at the number 8 and count on in 8s.



Dot to Dot

Skip Counting by 9

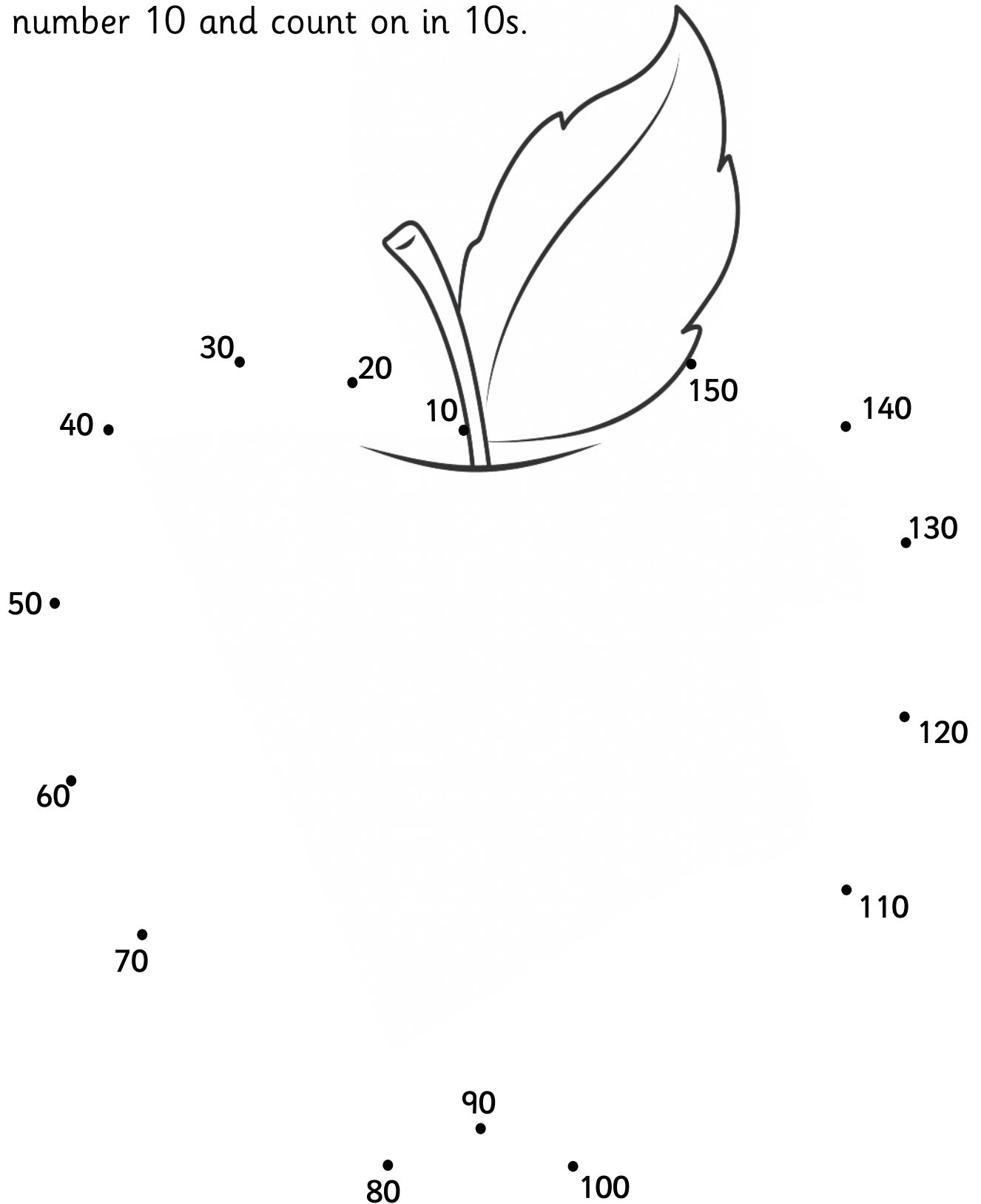
To complete this dot to dot, start at the number 9 and count on in 9s.



Dot to Dot

Skip Counting by 10

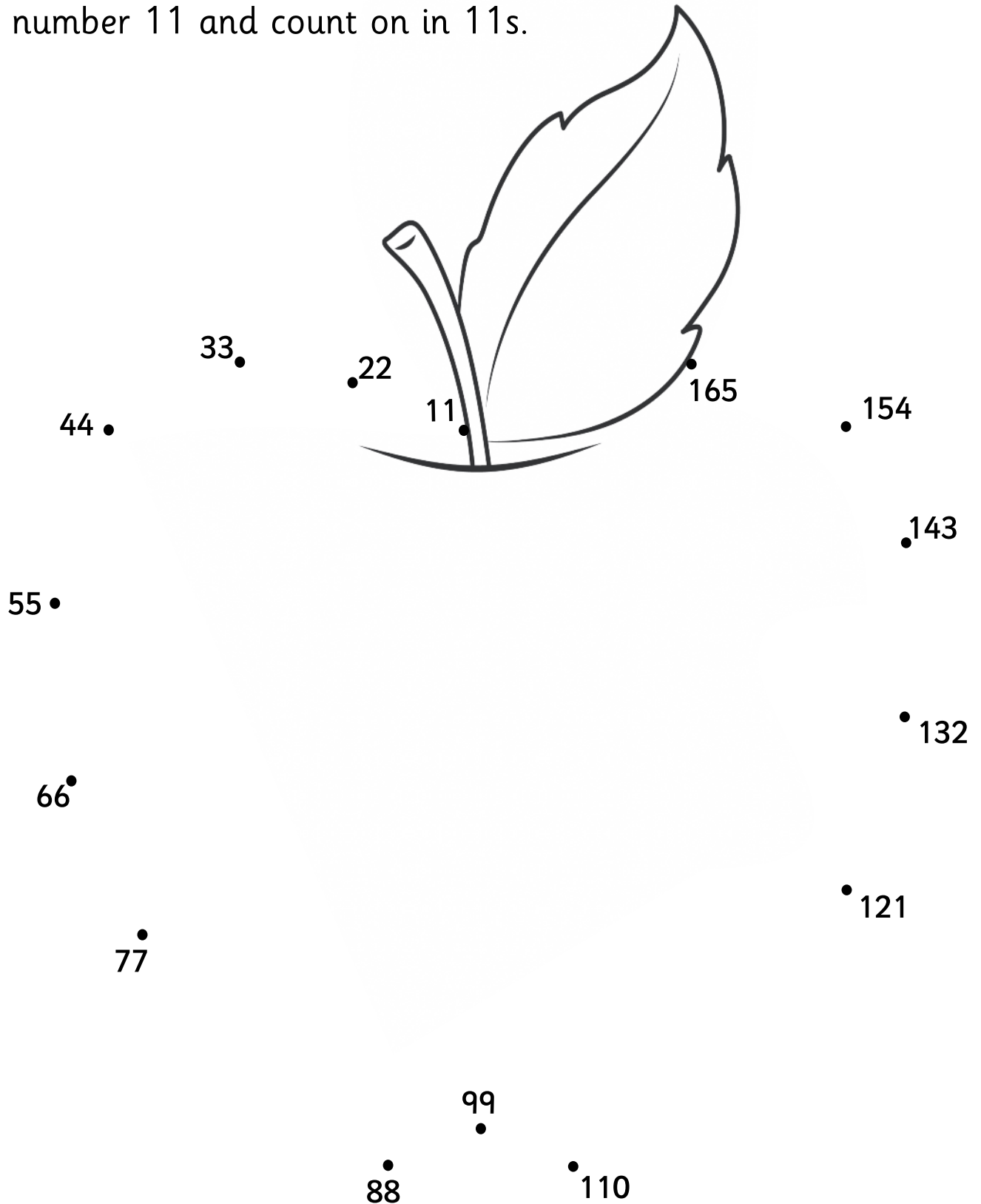
To complete this dot to dot, start at the number 10 and count on in 10s.



Dot to Dot

Skip Counting by 11

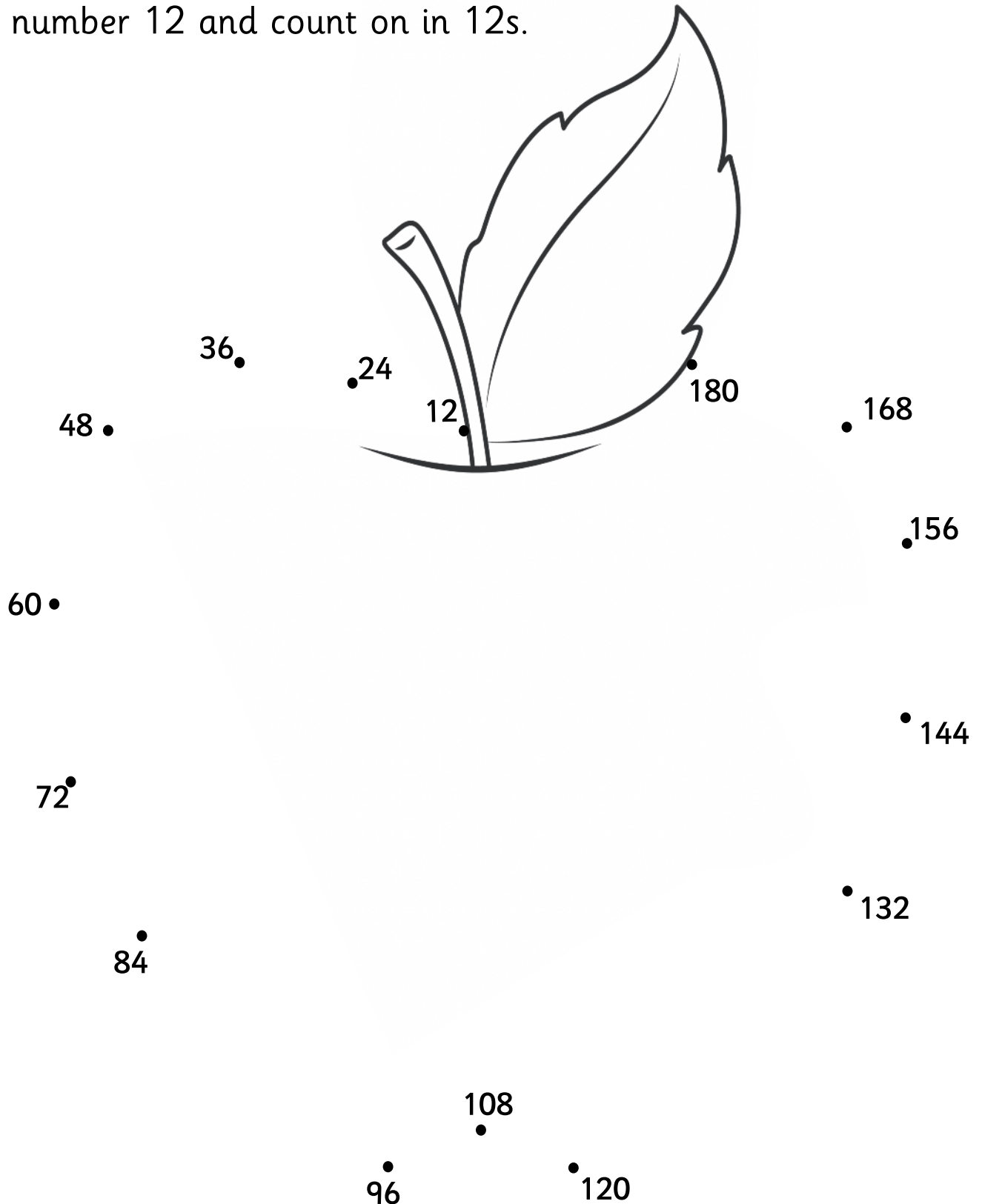
To complete this dot to dot, start at the number 11 and count on in 11s.



Dot to Dot

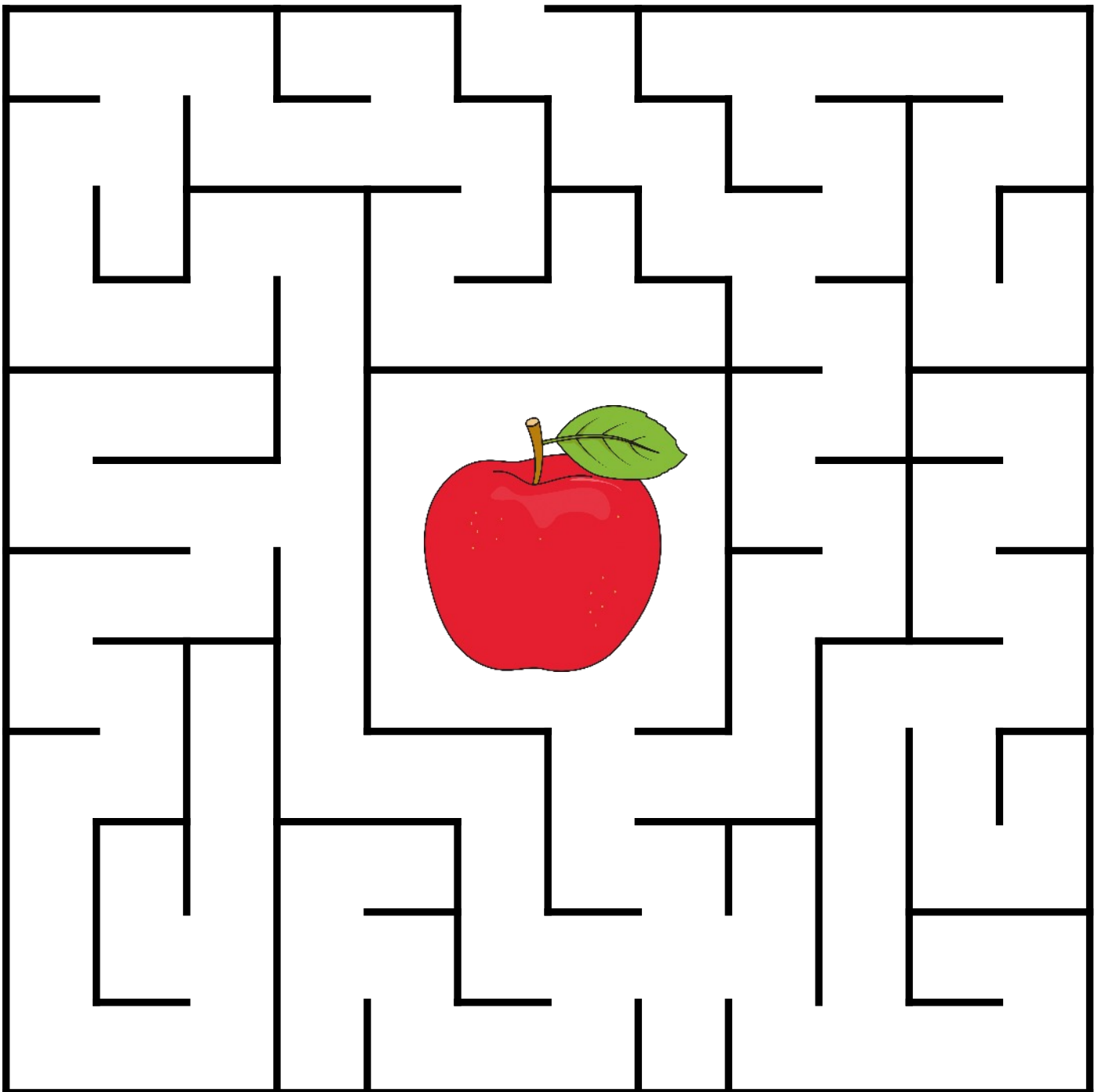
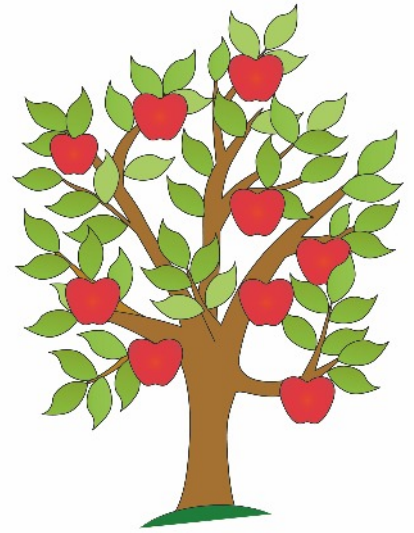
Skip Counting by 12

To complete this dot to dot, start at the number 12 and count on in 12s.



Apple Maze

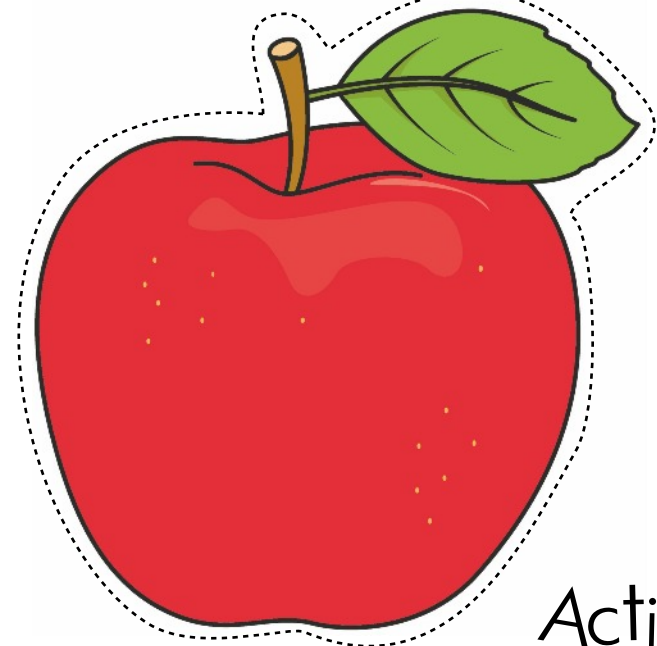
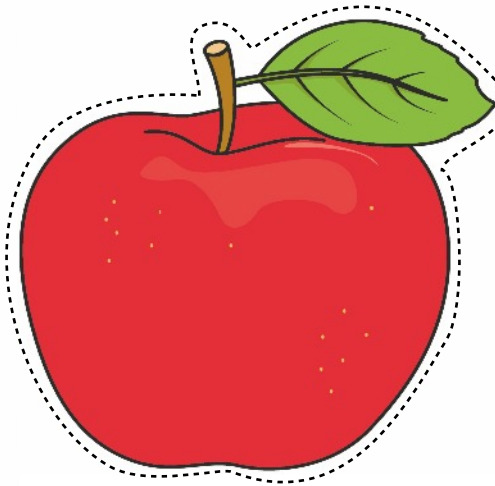
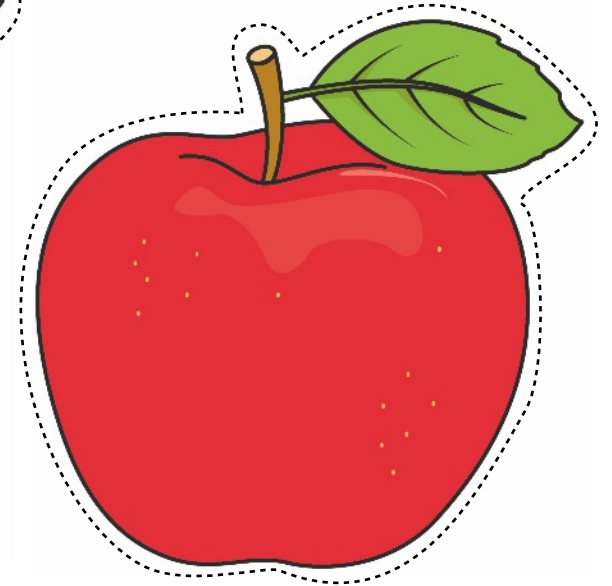
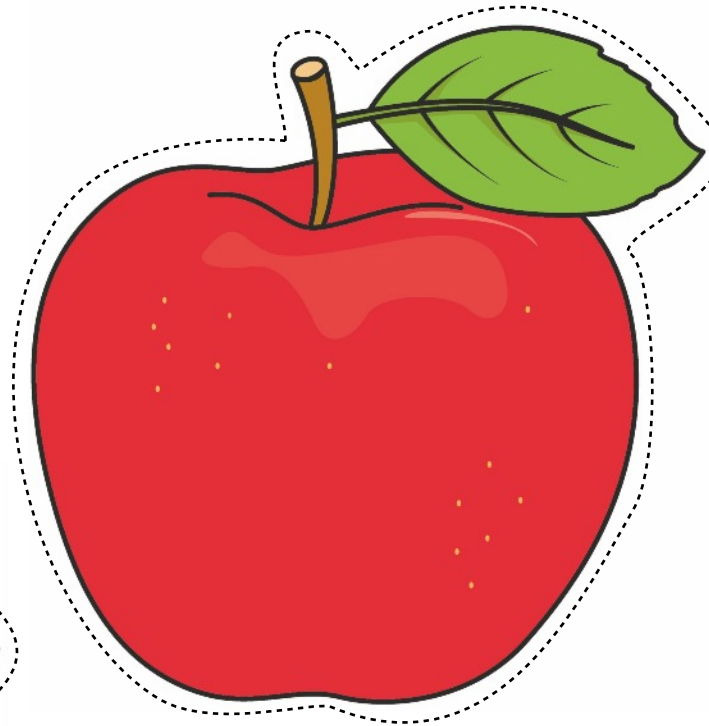
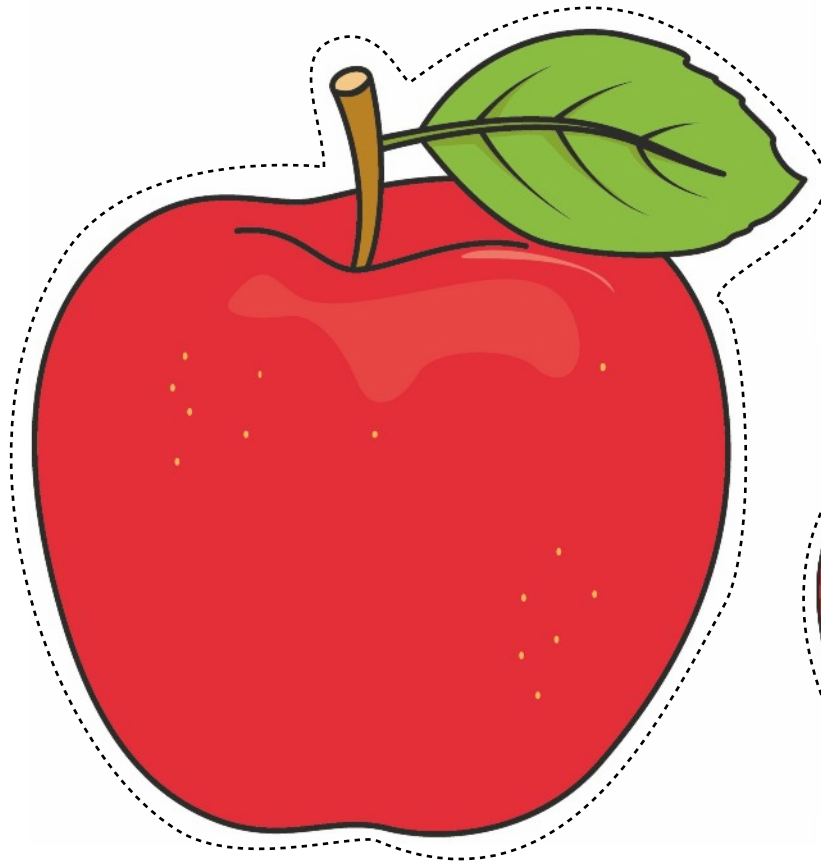
The apple has fallen off the tree. Can you follow its path through the maze?



Apple Sorting by Size

Cut out the apples (laminates if you wish) and put them in order from biggest to smallest.

Now shuffle them up and put them in order from smallest to biggest.





Baking Alphabet Challenge

Can you come up with a baking themed word for each letter of the alphabet?

A

B

C

D

E

F

G

H

I

J

K

L

M

N

O

P

Q

R

S

T

U

V

W

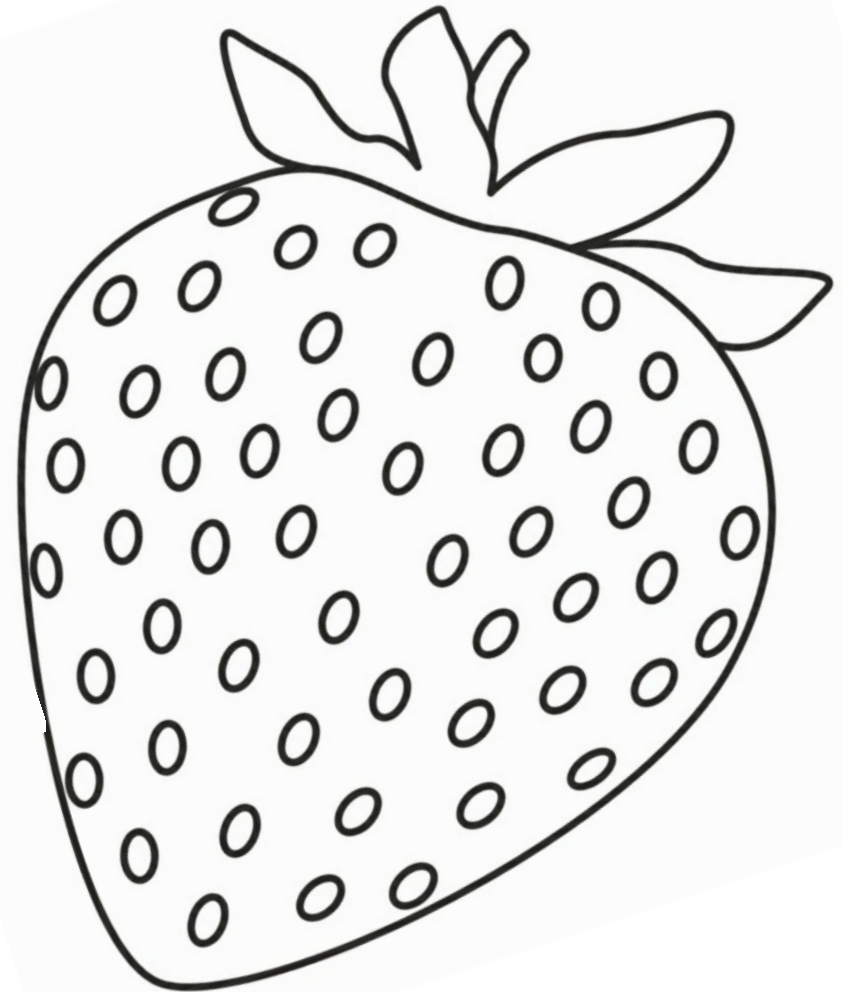
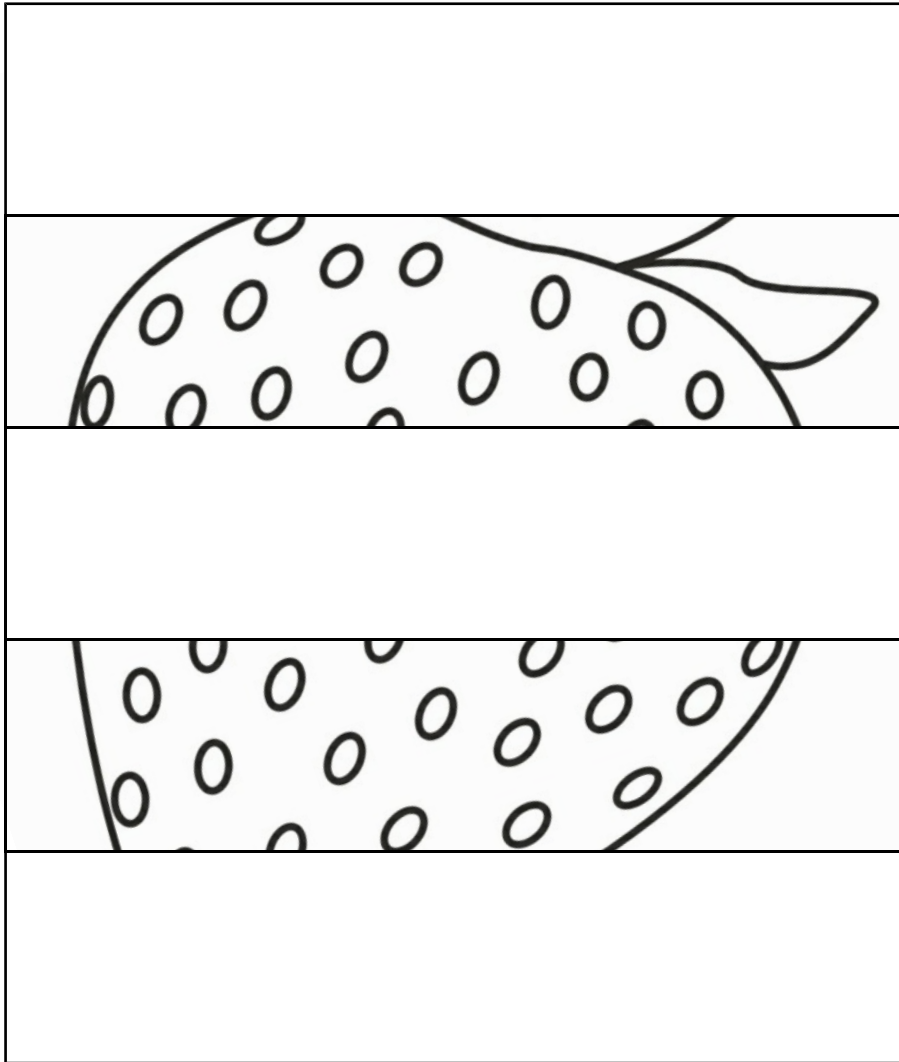
X

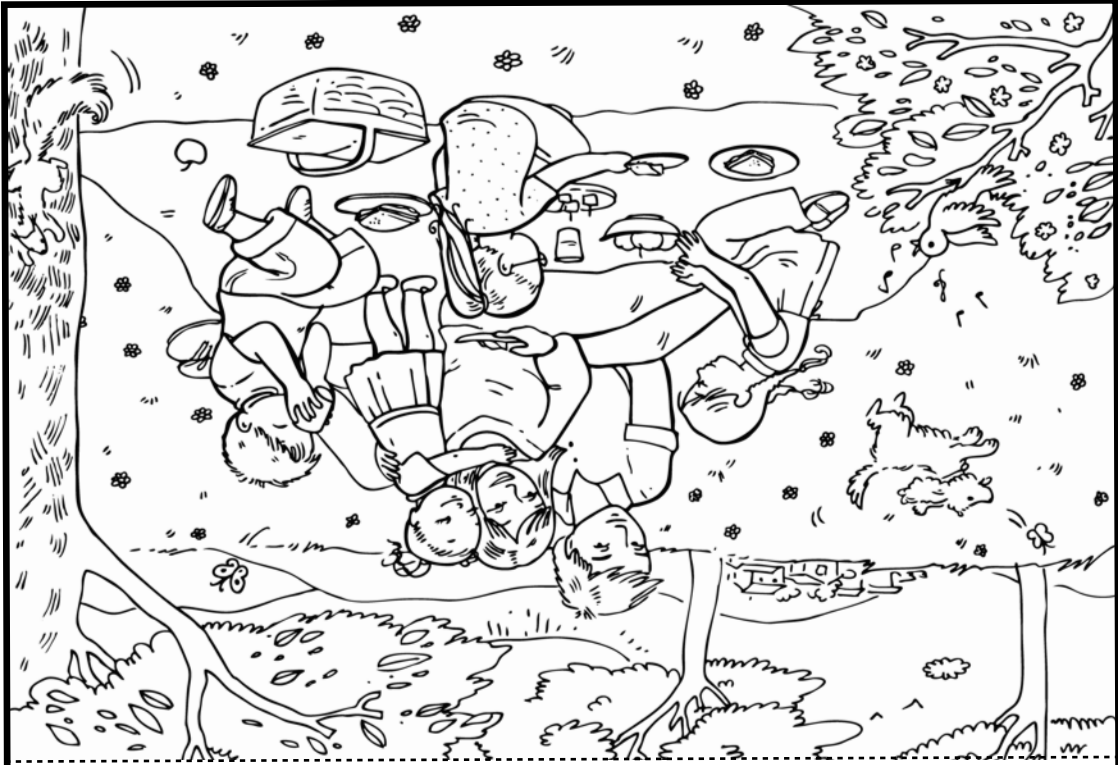
Y

Z



Can you complete the picture of the strawberry on the left, by copying the complete picture on the right?





fold



Printable postcards from www.ActivityVillage.co.uk

Can you find which ice cream sundae is the odd one out?

